

Sensors and Systems

Edition 3.0



Your automation, our passion.

pf PEPPERL+FUCHS



Properties

- Ø4 mm housing
- 0.8 mm and 1.5 mm, flush mountable versions
- DC, 3-wire switching output
- Cable, pigtail and connector versions

Technical Data

For detailed data and product description refer to the data sheets at www.pepperl-fuchs.com

General Data

Rated operating distance	0.8 mm
Installation	flush
Type of voltage	DC
Operating voltage	10 ... 30 V
Reverse polarity protection	✓
Switching frequency	0 ... 3000 Hz
Short-circuit protection	pulsing
Indication of the switching state	LED, yellow
Ambient temperature	-25 ... 70 °C (-13 ... 158 °F)
Protection degree	IP67
Housing material	Stainless steel 1.4305 / AISI 303

Model Number

			NBB0,8-4M25-E0	NBB0,8-4M25-E1	NBB0,8-4M25-E2	NBB0,8-4M25-E3	NBB0,8-4M25-E0,3M-V3	NBB0,8-4M25-E2,0,3M-V3	NBB0,8-4M25-E0-V3	NBB0,8-4M25-E2-V3	NBB1,5-4M25-E0-V3
Switching element function	green = preferred type	NPN NO	●				●	●	●		●
	NPN NC			●							
	PNP NO				●					●	
	PNP NC					●					●
No-load supply current	≤ 10 mA										
	≤ 12 mA		●	●			●	●	●	●	●
Operating current	0 ... 100 mA		●	●			●	●	●	●	●
	0 ... 200 mA				●	●		●			
Connection type	Device connector M8 x 1 , 3-pin										
	cable PVC , 2 m		●	●	●	●					
	Cable connector M8 x 1 , 3-pin with PVC cable 300 mm						●	●			

Approvals and Certificates

UL approval	cULus Listed, General Purpose	●	●	●	●	●	●	●	●	●	●
CSA approval	cCSAus Listed, General Purpose	●	●	●	●	●	●	●	●	●	●
CCC approval	Products with a maximum operating voltage of ≤36 V do not bear a CCC marking because they do not require approval.										

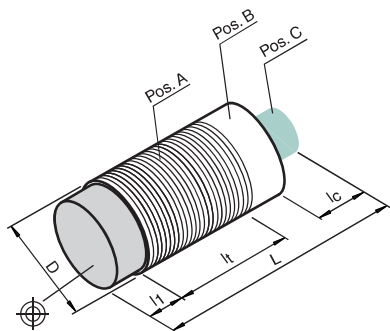
Dimensions

Length L [mm]	25	25	40	45
Diameter D [mm]	4	4		4 / 8
Thread length l _t [mm]	0		0	
Cap length l ₁ [mm]	0		0	
Connector area l _c [mm]	0	0		5
LED position	Pos. A	Pos. A		Pos. B

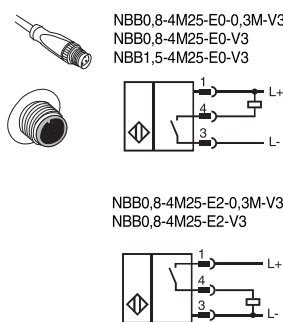
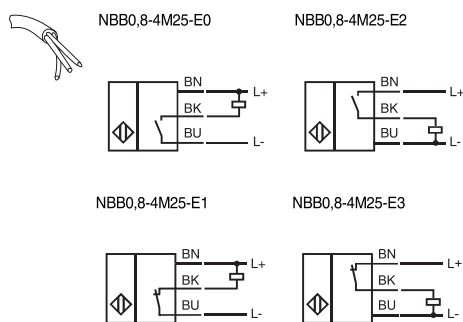
Accessories

This and more accessories can be found in chapter 10
 See pages from 972 ... for cordsets See pages 1068 ... for mounting aids

BF 4 Mounting flange, 4 mm



Electrical Connection



Wire colors in accordance with EN 60947-5-2
 1 | BN (brown)
 3 | BU (blue)
 4 | BK (black)

Date of issue 04/08/2015

Refer to "General Notes Relating to Pepperl+Fuchs Product Information".

Pepperl+Fuchs Group
www.pepperl-fuchs.com

USA: +1 330 486 0001
 fa-info@us.pepperl-fuchs.com

Germany: +49 621 776 4411
 fa-info@de.pepperl-fuchs.com

Singapore: +65 6779 9091
 fa-info@sg.pepperl-fuchs.com

Technical Data

For detailed data and product description refer to the data sheets at www.pepperl-fuchs.com

General Data

Installation	flush
Type of voltage	DC
Operating voltage	10 ... 30 V
No-load supply current	≤ 10 mA
Reverse polarity protection	✓
Operating current	0 ... 100 mA
Short-circuit protection	pulsing
Indication of the switching state	LED, yellow
Ambient temperature	-25 ... 70 °C (-13 ... 158 °F)
Protection degree	IP67
Housing material	Stainless steel 1.4305 / AISI 303



Properties

- Ø4 mm housing
- Up to 1 mm, flush mountable
- DC, 3-wire switching output
- Cable and pigtail versions

Model Number

Rated operating distance	0.6 mm	green = preferred type	NBB0,6-4GM22-E0	NBB0,6-4GM22-E1	NBB0,6-4GM22-E2	NBB0,6-4GM22-E3	NBB1-4GM22-E0	NBB1-4GM22-E2	NBB0,6-4GM22-E2-0,3M-V3	NBB1-4GM22-E0-0,3M-V3	NBB1-4GM22-E2-0,3M-V3
	1 mm		●	●	●	●	●	●	●	●	●
Switching element function	NPN	NC		●							
	NPN	NO	●				●			●	
	PNP	NC				●					
	PNP	NO			●			●	●	●	●
Switching frequency	0 ... 700 Hz						●	●	●	●	●
	0 ... 1300 Hz			●		●					
	0 ... 1400 Hz		●	●	●	●	●	●	●	●	●
Connection type	cable PUR, 2 m		●	●	●	●	●	●	●	●	●
	Cable connector M8 x 1, 3-pin with PVC cable 300 mm									●	●

Approvals and Certificates

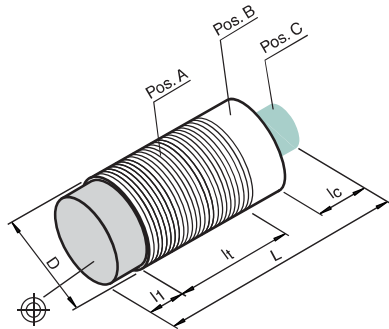
UL approval	cULus Listed, General Purpose	●
CSA approval	cCSAus Listed, General Purpose	●
CCC approval	Products with a maximum operating voltage of ≤36 V do not bear a CCC marking because they do not require approval.	

Dimensions

Length L [mm]	22
Diameter D [mm]	4
Thread length l _t [mm]	22
Cap length l ₁ [mm]	0
Connector area l _c [mm]	0
LED position	Pos. A

Accessories This and more accessories can be found in chapter 10
 See pages from 972 ... for cordsets See pages 1068 ... for mounting aids

BF 4 Mounting flange, 4 mm



Electrical Connection

