



Properties

- Ø30 mm housing
- 15 mm, non-flush mountable
- DC, 2-wire switching output
- Cable and connector versions

Technical Data

For detailed data and product description refer to the data sheets at www.pepperl-fuchs.com

General Data

Rated operating distance	15 mm
Installation	non-flush
Type of voltage	DC
Operating voltage	5 ... 60 V
Reverse polarity protection	tolerant
Operating current	2 ... 100 mA
Short-circuit protection	pulsing
Indication of the switching state	LED, yellow
Protection degree	IP67

Model Number

		green = preferred type	NBN15-30GM40-Z0	NCN15-30GM40-Z0	NCN15-30GM40-Z1	NBN15-30GM40-Z0-V1	NCN15-30GM40-Z0-V1	NBN15-30GM40-Z3-V1	NCN15-30GM40-Z3-V1	NCN15-30GM40-Z1-V1
Switching element function	DC	NO	●	●	●	●	●	●	●	●
	DC	NC								
Switching frequency	0 ... 100 Hz			●	●					
	0 ... 150 Hz		●			●		●		●
Ambient temperature	-25 ... 70 °C (-13 ... 158 °F)		●	●	●					
	-40 ... 70 °C (-40 ... 158 °F)					●	●			
Housing material	Stainless steel 1.4305 / AISI 303			●	●		●		●	●
	brass, nickel-plated		●			●		●		
Connection type	Device connector M12 x 1 , 4-pin					●	●	●	●	●
	cable PUR , 2 m		●	●	●					
	cable PVC , 2 m		●							

Approvals and Certificates

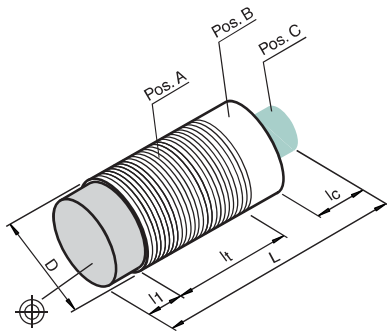
UL approval	cULus Listed, General Purpose	●	●	●	●	●	●	●	●	●
CSA approval	cCSAus Listed, General Purpose	●	●	●	●	●	●	●	●	●
CCC approval	Certified by China Compulsory Certification (CCC)	●	●	●	●	●	●	●	●	●

Dimensions

Length L [mm]		40	55
Diameter D [mm]			30
Thread length l _t [mm]		19	22
Cap length l ₁ [mm]			18
Connector area l _c [mm]		0	15
LED position			Pos. C

Accessories This and more accessories can be found in chapter 10

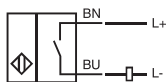
	See pages from 972 ... for cordsets	See pages 1068 ... for mounting aids
BF 30	Mounting flange, 30 mm	
V1-G-BK	4-pin, M12 female field-attachable connector	
V1-W-BK	4-pin, M12 female field-attachable connector	
V1-G-2M-PUR	Cable socket, M12, 4-pin, PUR cable	
V1-W-2M-PUR	Cable socket, M12, 4-pin, PUR cable	



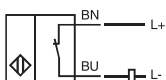
Electrical Connection



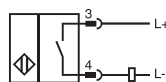
NBN15-30GM40-Z0
NCN15-30GM40-Z0



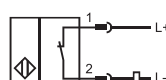
NCN15-30GM40-Z1



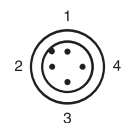
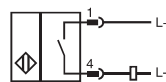
NBN15-30GM40-Z0-V1
NCN15-30GM40-Z0-V1



NCN15-30GM40-Z1-V1



NBN15-30GM40-Z3-V1
NCN15-30GM40-Z3-V1



Wire colors in accordance with EN 60947-5-2

- 1 BN (brown)
- 2 WH (white)
- 3 BU (blue)
- 4 BK (black)

Date of issue 04/08/2015

Refer to "General Notes Relating to Pepperl+Fuchs Product Information".

Pepperl+Fuchs Group
www.pepperl-fuchs.com

USA: +1 330 486 0001
fa-info@us.pepperl-fuchs.com

Germany: +49 621 776 4411
fa-info@de.pepperl-fuchs.com

Singapore: +65 6779 9091
fa-info@sg.pepperl-fuchs.com

Technical Data

For detailed data and product description refer to the data sheets at www.pepperl-fuchs.com

General Data

Rated operating distance	15 mm
Installation	flush
Type of voltage	DC
Operating voltage	3.5 ... 30 V
Switching frequency	500 Hz
Operating current	2 ... 100 mA
Short-circuit protection	pulsing
Indication of the switching state	LED, yellow
Ambient temperature	-25 ... 70 °C (-13 ... 158 °F)
Housing material	brass, nickel-plated
Protection degree	IP67



Properties

- Ø30 mm housing
- 15 mm, flush mountable
- DC, 2-wire switching output
- Cable and connector versions

Model Number

		NCB15-30GM50-Z4	NCB15-30GM50-Z5	NCB15-30GM50-Z4-V1	NCB15-30GM50-Z5-V1
Switching element function	DC NO	●		●	
	DC NC		●		●
Reverse polarity protection	✓	●		●	
	reverse polarity-conductive		●		●
Connection type	Device connector M12 x 1, 4-pin			●	●
	cable PVC, 2 m	●	●		

Approvals and Certificates

UL approval	cULus Listed, General Purpose	●	●	●	●
CSA approval	cCSAus Listed, General Purpose	●	●	●	●
CCC approval	Products with a maximum operating voltage of ≤36 V do not bear a CCC marking because they do not require approval.				

Dimensions

Length L [mm]		50	65
Diameter D [mm]		30	
Thread length l_t [mm]		47	50
Cap length l_1 [mm]		0	
Connector area l_c [mm]		0	15
LED position		Pos. C	

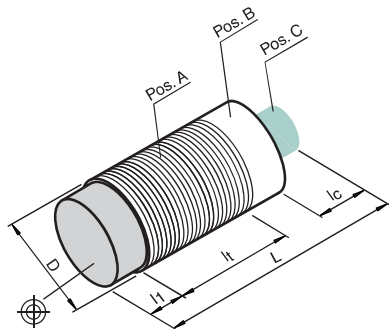
Accessories

This and more accessories can be found in chapter 10

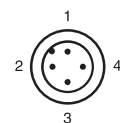
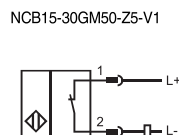
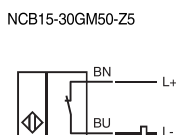
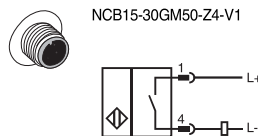
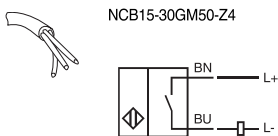
See pages from 972 ... for cordsets

See pages 1068 ... for mounting aids

- BF 30** Mounting flange, 30 mm
- EXG-30** Quick mounting bracket with dead stop
- V1-G-BK** 4-pin, M12 female field-attachable connector
- V1-W-BK** 4-pin, M12 female field-attachable connector
- V1-G-2M-PUR** Cable socket, M12, 4-pin, PUR cable
- V1-W-2M-PUR** Cable socket, M12, 4-pin, PUR cable



Electrical Connection



Wire colors in accordance with EN 60947-5-2

- 1 BN (brown)
- 2 WH (white)
- 3 BU (blue)
- 4 BK (black)



Properties

- Ø30 mm housing
- 25 mm, non-flush mountable
- DC, 2-wire switching output
- Cable and connector versions

Technical Data

For detailed data and product description refer to the data sheets at www.pepperl-fuchs.com

General Data

Rated operating distance	25 mm
Installation	non-flush
Type of voltage	DC
Operating voltage	3.5 ... 30 V
Switching frequency	500 Hz
Operating current	2 ... 100 mA
Short-circuit protection	pulsing
Indication of the switching state	LED, yellow
Ambient temperature	-25 ... 70 °C (-13 ... 158 °F)
Housing material	brass, nickel-plated
Protection degree	IP67

Model Number

			NCN25-30GM50-Z4	NCN25-30GM50-Z5	NCN25-30GM50-Z4-V1	NCN25-30GM50-Z5-V1	NCN25-30GM50-Z7-V1
Switching element function	DC NO		●		●		
	DC NC			●		●	●
Reverse polarity protection	reverse polarity-conductive tolerant		●	●	●	●	●
Connection type	Device connector M12 x 1, 4-pin				●	●	●
	cable PVC, 2 m		●	●			

Approvals and Certificates

UL approval	cULus Listed, General Purpose	●	●	●	●	●
CSA approval	cCSAus Listed, General Purpose	●	●	●	●	●
CCC approval	Products with a maximum operating voltage of ≤36 V do not bear a CCC marking because they do not require approval.					

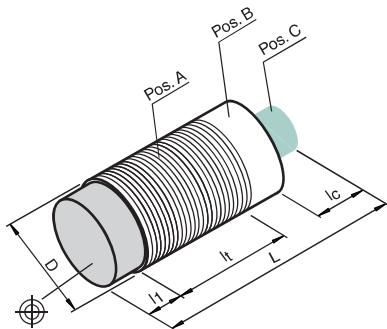
Dimensions

Length L [mm]		50	65
Diameter D [mm]			30
Thread length l _t [mm]			32
Cap length l ₁ [mm]			18
Connector area l _c [mm]		0	15
LED position			Pos. C

Accessories This and more accessories can be found in chapter 10

See pages from 972 ... for cordsets See pages 1068 ... for mounting aids

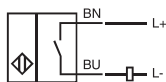
- BF 30** Mounting flange, 30 mm
- V1-G-BK** 4-pin, M12 female field-attachable connector
- V1-W-BK** 4-pin, M12 female field-attachable connector
- V1-W-2M-PUR** Cable socket, M12, 4-pin, PUR cable
- V1-G-2M-PUR** Cable socket, M12, 4-pin, PUR cable



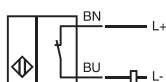
Electrical Connection



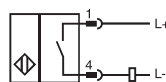
NCN25-30GM50-Z4



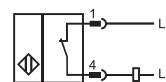
NCN25-30GM50-Z5



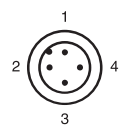
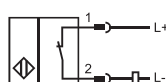
NCN25-30GM50-Z4-V1



NCN25-30GM50-Z7-V1



NCN25-30GM50-Z5-V1



Wire colors in accordance with EN 60947-5-2

- 1 BN (brown)
- 2 WH (white)
- 3 BU (blue)
- 4 BK (black)

Date of issue 04/08/2015

Refer to "General Notes Relating to Pepperl+Fuchs Product Information".

Pepperl+Fuchs Group
www.pepperl-fuchs.com

USA: +1 330 486 0001
fa-info@us.pepperl-fuchs.com

Germany: +49 621 776 4411
fa-info@de.pepperl-fuchs.com

Singapore: +65 6779 9091
fa-info@sg.pepperl-fuchs.com



Technical Data

For detailed data and product description refer to the data sheets at www.pepperl-fuchs.com

General Data

Rated operating distance	10 mm
Installation	flush
Type of voltage	DC
Operating voltage	10 ... 30 V
No-load supply current	≤ 20 mA
Reverse polarity protection	✓
Switching frequency	0 ... 200 Hz
Operating current	0 ... 200 mA
Short-circuit protection	pulsing
Indication of the switching state	LED, yellow
Housing material	brass, nickel-plated
Protection degree	IP67

Properties

- Ø30 mm housing
- 10 mm, flush mountable
- DC, 3-wire switching output
- Cable and connector versions

Model Number

			NBB10-30GM50-E0	NBB10-30GM50-E2	NBB10-30GM50-E0-V1	NBB10-30GM50-E2-V1	NBB10-30GM50-E3-V1
Switching element function	NPN	NO	●		●		
	PNP	NO		●		●	
	PNP	NC					●
Ambient temperature	-25 ... 70 °C (-13 ... 158 °F)		●	●	●		●
	-40 ... 70 °C (-40 ... 158 °F)					●	●
Connection type	Device connector M12 x 1, 4-pin		●		●	●	●
	cable PVC, 2 m		●	●			

Approvals and Certificates

UL approval	cULus Listed, General Purpose	●	●	●	●	●
CSA approval	cCSAus Listed, General Purpose	●	●	●	●	●
CCC approval	Products with a maximum operating voltage of ≤36 V do not bear a CCC marking because they do not require approval.					

Dimensions

Length L [mm]		50	65
Diameter D [mm]			30
Thread length l_t [mm]			50
Cap length l_1 [mm]			0
Connector area l_c [mm]		0	15
LED position			Pos. C

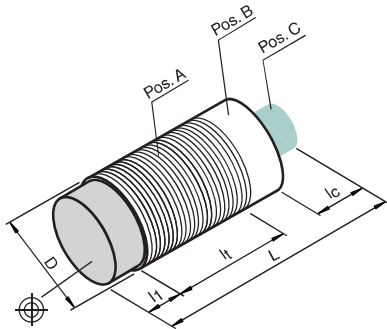
Accessories

This and more accessories can be found in chapter 10

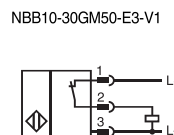
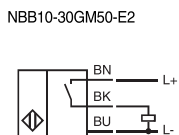
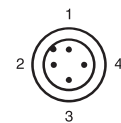
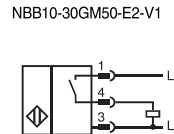
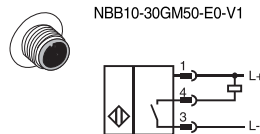
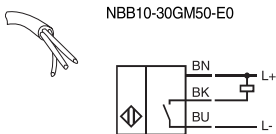
See pages from 972 ... for cordsets

See pages 1068 ... for mounting aids

- BF 30** Mounting flange, 30 mm
- EXG-30** Quick mounting bracket with dead stop
- V1-G-BK** 4-pin, M12 female field-attachable connector
- V1-W-BK** 4-pin, M12 female field-attachable connector
- V1-G-2M-PUR** Cable socket, M12, 4-pin, PUR cable
- V1-W-2M-PUR** Cable socket, M12, 4-pin, PUR cable



Electrical Connection



Wire colors in accordance with EN 60947-5-2

- 1 BN (brown)
- 2 WH (white)
- 3 BU (blue)
- 4 BK (black)



Properties

- Ø30 mm housing
- 10 mm, flush mountable
- DC, 4-wire switching output
- Cable and connector versions

Technical Data

For detailed data and product description refer to the data sheets at www.pepperl-fuchs.com

General Data

Rated operating distance	10 mm
Installation	flush
Type of voltage	DC
Operating voltage	10 ... 30 V
No-load supply current	≤ 20 mA
Reverse polarity protection	✓
Switching frequency	0 ... 200 Hz
Operating current	0 ... 200 mA
Short-circuit protection	pulsing
Indication of the switching state	LED, yellow
Housing material	brass, nickel-plated
Protection degree	IP67

Model Number

			NBB10-30GM60-A0	NBB10-30GM60-A2	NBB10-30GM60-A0-V1	NBB10-30GM60-A2-V1
Switching element function	NPN	NO/NC	●	●	●	●
	PNP	NO/NC				
Ambient temperature	-25 ... 70 °C (-13 ... 158 °F)		●	●	●	●
	-40 ... 70 °C (-40 ... 158 °F)					●
Connection type	Device connector M12 x 1 , 4-pin		●	●	●	●
	cable PVC , 2 m					●

Approvals and Certificates

UL approval	cULus Listed, General Purpose	●	●	●	●
CSA approval	cCSAus Listed, General Purpose	●	●	●	●
CCC approval	Products with a maximum operating voltage of ≤36 V do not bear a CCC marking because they do not require approval.				

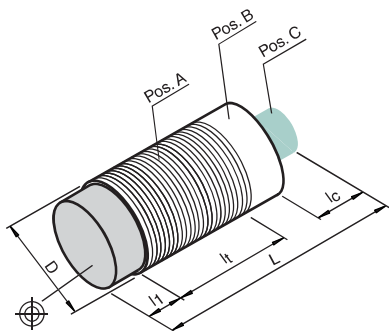
Dimensions

Length L [mm]	60	70
Diameter D [mm]		30
Thread length l _t [mm]		60
Cap length l ₁ [mm]	0	10
Connector area l _c [mm]	0	10
LED position	Pos. C	Pos. A

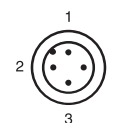
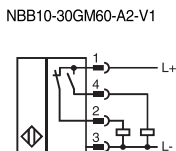
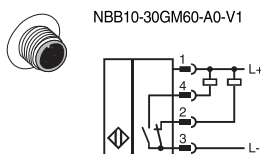
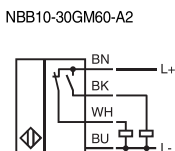
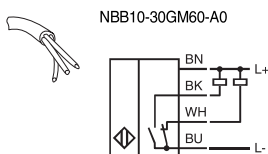
Accessories This and more accessories can be found in chapter 10

See pages from 972 ... for cordsets See pages 1068 ... for mounting aids

- BF 30** Mounting flange, 30 mm
- EXG-30** Quick mounting bracket with dead stop
- V1-G-BK** 4-pin, M12 female field-attachable connector
- V1-W-BK** 4-pin, M12 female field-attachable connector
- V1-G-2M-PUR** Cable socket, M12, 4-pin, PUR cable
- V1-W-2M-PUR** Cable socket, M12, 4-pin, PUR cable



Electrical Connection



Wire colors in accordance with EN 60947-5-2

- 1 BN (brown)
- 2 WH (white)
- 3 BU (blue)
- 4 BK (black)

Date of issue 04/08/2015

Refer to "General Notes Relating to Pepperl+Fuchs Product Information".

Pepperl+Fuchs Group
www.pepperl-fuchs.com

USA: +1 330 486 0001
fa-info@us.pepperl-fuchs.com

Germany: +49 621 776 4411
fa-info@de.pepperl-fuchs.com

Singapore: +65 6779 9091
fa-info@sg.pepperl-fuchs.com



Properties

- Ø30 mm housing
- 10 mm, flush mountable
- DC, 3-wire switching output
- Cable version

Technical Data

For detailed data and product description refer to the data sheets at www.pepperl-fuchs.com

General Data

Rated operating distance	10 mm
Installation	flush
Type of voltage	DC
Operating voltage	10 ... 30 V
No-load supply current	≤ 20 mA
Reverse polarity protection	✓
Switching frequency	0 ... 200 Hz
Operating current	0 ... 200 mA
Short-circuit protection	pulsing
Indication of the switching state	LED, yellow
Ambient temperature	-25 ... 70 °C (-13 ... 158 °F)
Housing material	PBT
Protection degree	IP68 / IP69K
Connection type	cable PVC , 2 m



Model Number

Switching element function	NPN	NO	NBB10-30GK50-E0	NBB10-30GK50-E2
	PNP	NO	●	●

Approvals and Certificates

UL approval	cULus Listed, General Purpose	●	●
CSA approval	cCSAus Listed, General Purpose	●	●
CCC approval	Products with a maximum operating voltage of ≤36 V do not bear a CCC marking because they do not require approval.		

Dimensions

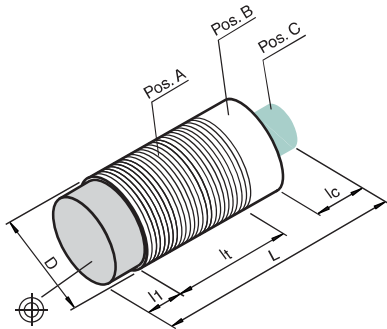
Length L [mm]	52
Diameter D [mm]	30
Thread length l _t [mm]	48
Cap length l ₁ [mm]	1
Connector area l _c [mm]	0
LED position	Pos. C

Accessories

This and more accessories can be found in chapter 10
See pages from 972 ... for cordsets See pages 1068 ... for mounting aids

BF 30

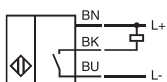
Mounting flange, 30 mm



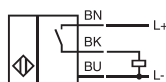
Electrical Connection



NBB10-30GK50-E0



NBB10-30GK50-E2





Technical Data

For detailed data and product description refer to the data sheets at www.pepperl-fuchs.com

General Data

Rated operating distance	10 mm
Installation	flush
Type of voltage	DC
Operating voltage	10 ... 30 V
No-load supply current	≤ 20 mA
Reverse polarity protection	✓
Switching frequency	0 ... 300 Hz
Operating current	0 ... 200 mA
Short-circuit protection	pulsing
Indication of the switching state	LED, yellow
Ambient temperature	-25 ... 70 °C (-13 ... 158 °F)
Housing material	PBT
Protection degree	IP67
Connection type	terminal compartment



Properties

- Ø30 mm housing
- 10 mm, flush mountable
- DC, 4-wire switching output
- Terminal compartment

Model Number

		NJ10-30GKK-A	NJ10-30GKK-A2
Switching element function	NPN	NO/NC	
	PNP	NO/NC	

Approvals and Certificates

UL approval	cULus Listed, General Purpose	●	●
CSA approval	cCSAus Listed, General Purpose	●	●
CCC approval	Products with a maximum operating voltage of ≤36 V do not bear a CCC marking because they do not require approval.		

Dimensions

Length L [mm]	115
Diameter D [mm]	30
Thread length l _t [mm]	58
Cap length l ₁ [mm]	2
Connector area l _c [mm]	0

Accessories

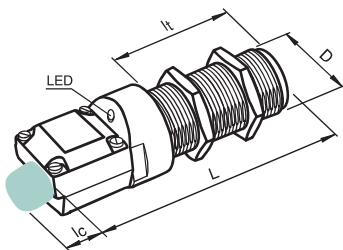
This and more accessories can be found in chapter 10

See pages from 972 ... for cordsets

See pages 1068 ... for mounting aids

BF 30

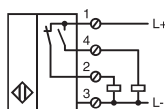
Mounting flange, 30 mm



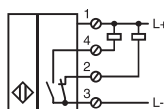
Electrical Connection



NJ10-30GKK-A2



NJ10-30GKK-A



Date of issue 04/08/2015

1
.1.1



Properties

- Ø30 mm housing
- 15 mm, flush mountable
- DC, 3-wire switching output
- Cable and connector versions

Technical Data

For detailed data and product description refer to the data sheets at www.pepperl-fuchs.com

General Data

Rated operating distance	15 mm
Installation	flush
Type of voltage	DC
Operating voltage	10 ... 30 V
No-load supply current	≤ 15 mA
Reverse polarity protection	✓
Switching frequency	0 ... 200 Hz
Short-circuit protection	pulsing
Indication of the switching state	LED, yellow
Housing material	brass, nickel-plated
Protection degree	IP67

Model Number

		green = preferred type							
Switching element function	NPN	NO							
	PNP	NO	●	●	●	●	●	●	●
	PNP	NC							
Operating current	0 ... 100 mA		●	●	●	●	●	●	●
	0 ... 200 mA								
Ambient temperature	-25 ... 70 °C (-13 ... 158 °F)		●	●	●	●	●	●	●
	-40 ... 70 °C (-40 ... 158 °F)								
Connection type	Device connector M12 x 1, 4-pin					●	●	●	●
	cable PVC, 2 m		●	●	●	●	●	●	●

Approvals and Certificates

UL approval	cULus Listed, General Purpose	●	●	●	●	●	●	●	●
CSA approval	cCSAus Listed, General Purpose	●	●	●	●	●	●	●	●
CCC approval	Products with a maximum operating voltage of ≤36 V do not bear a CCC marking because they do not require approval.								

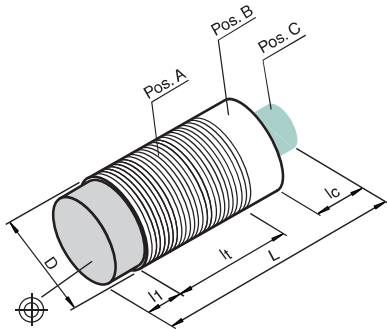
Dimensions

Length L [mm]	30	50	45	65
Diameter D [mm]			30	
Thread length l _t [mm]	27	47	30	50
Cap length l ₁ [mm]			0	
Connector area l _c [mm]		0		15
LED position			Pos. C	

Accessories

This and more accessories can be found in chapter 10
See pages from 972 ... for cordsets See pages 1068 ... for mounting aids

- BF 30** Mounting flange, 30 mm
- EXG-30** Quick mounting bracket with dead stop
- V1-G-BK** 4-pin, M12 female field-attachable connector
- BF 30-F** Mounting flange with dead stop, 30 mm
- V1-W-BK** 4-pin, M12 female field-attachable connector
- V1-G-2M-PUR** Cable socket, M12, 4-pin, PUR cable
- V1-W-2M-PUR** Cable socket, M12, 4-pin, PUR cable



Electrical Connection

NBB15-30GM50-E0

NBB15-30GM30-E2
NBB15-30GM50-E2

NBB15-30GM50-E0-V1

NBB15-30GM30-E2-V1
NBB15-30GM50-E2-V1

NBB15-30GM30-E3

NBB15-30GM30-E3-V1

Wire colors in accordance with EN 60947-5-2

1	BN	(brown)
2	WH	(white)
3	BU	(blue)
4	BK	(black)



Technical Data

For detailed data and product description refer to the data sheets at www.pepperl-fuchs.com

General Data

Rated operating distance	15 mm
Installation	flush
Type of voltage	DC
Operating voltage	10 ... 30 V
No-load supply current	≤ 25 mA
Reverse polarity protection	✓
Switching frequency	0 ... 200 Hz
Operating current	0 ... 200 mA
Short-circuit protection	pulsing
Indication of the switching state	LED, yellow
Housing material	brass, nickel-plated
Protection degree	IP67

Properties

- Ø30 mm housing
- 15 mm, flush mountable
- DC, 4-wire switching output
- Cable and connector versions

Model Number

			NBB15-30GM60-A0	NBB15-30GM60-A2	NBB15-30GM60-A0-V1	NBB15-30GM60-A2-V1
Switching element function	green = preferred type	NPN NO/NC	●	●	●	●
		PNP NO/NC		●		●
Ambient temperature		-25 ... 70 °C (-13 ... 158 °F)	●	●	●	●
		-40 ... 70 °C (-40 ... 158 °F)		●		●
Connection type		Device connector M12 x 1, 4-pin cable PVC, 2 m	●	●	●	●

Approvals and Certificates

UL approval	cULus Listed, General Purpose	●	●	●	●
CSA approval	cCSAus Listed, General Purpose	●	●	●	●
CCC approval	Products with a maximum operating voltage of ≤36 V do not bear a CCC marking because they do not require approval.				

Dimensions

Length L [mm]	60	70
Diameter D [mm]		30
Thread length l _t [mm]	57	60
Cap length l ₁ [mm]		0
Connector area l _c [mm]	0	10
LED position	Pos. C	Pos. A

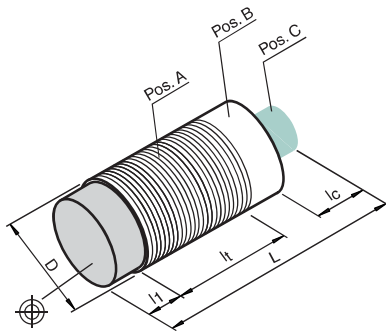
Accessories

This and more accessories can be found in chapter 10

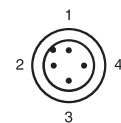
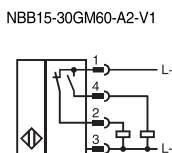
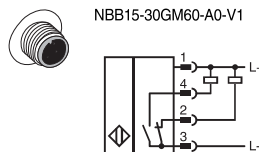
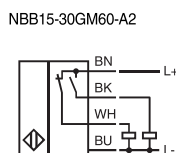
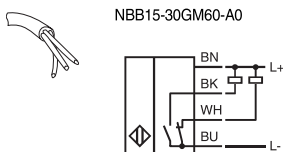
See pages 972 ... for cordsets

See pages 1068 ... for mounting aids

BF 30	Mounting flange, 30 mm
EXG-30	Quick mounting bracket with dead stop
V1-G-BK	4-pin, M12 female field-attachable connector
V1-W-BK	4-pin, M12 female field-attachable connector
V1-G-2M-PUR	Cable socket, M12, 4-pin, PUR cable
V1-W-2M-PUR	Cable socket, M12, 4-pin, PUR cable



Electrical Connection



Wire colors in accordance with EN 60947-5-2

- 1 | BN (brown)
- 2 | WH (white)
- 3 | BU (blue)
- 4 | BK (black)

Date of issue 04/08/2015

Refer to "General Notes Relating to Pepperl+Fuchs Product Information".

Pepperl+Fuchs Group
www.pepperl-fuchs.com

USA: +1 330 486 0001
fa-info@us.pepperl-fuchs.com

Germany: +49 621 776 4411
fa-info@de.pepperl-fuchs.com

Singapore: +65 6779 9091
fa-info@sg.pepperl-fuchs.com



Properties

- Ø30 mm housing
- 15 mm, non-flush mountable
- DC, 3-wire switching output
- Cable and connector versions

Technical Data

For detailed data and product description refer to the data sheets at www.pepperl-fuchs.com

General Data

Rated operating distance	15 mm
Installation	non-flush
Type of voltage	DC
Operating voltage	10 ... 30 V
Reverse polarity protection	✓
Switching frequency	0 ... 200 Hz
Operating current	0 ... 200 mA
Short-circuit protection	pulsing
Indication of the switching state	LED, yellow
Housing material	brass, nickel-plated
Protection degree	IP67

Model Number

		NBN15-30GM50-E0	NBN15-30GM50-E2	NBN15-30GM50-E0-V1	NBN15-30GM50-E2-V1
Switching element function	NPN	●	●	●	●
	NO				
No-load supply current	PNP	●	●	●	●
	NO				
Ambient temperature	≤ 15 mA	●	●	●	●
	≤ 20 mA				
Connection type	-25 ... 70 °C (-13 ... 158 °F)	●	●	●	●
	-40 ... 70 °C (-40 ... 158 °F)				
Device connector M12 x 1, 4-pin cable PVC, 2 m	Device connector M12 x 1, 4-pin	●	●	●	●
	cable PVC, 2 m				

Approvals and Certificates

UL approval	cULus Listed, General Purpose	●	●	●	●
CSA approval	cCSAus Listed, General Purpose	●	●	●	●
CCC approval	Products with a maximum operating voltage of ≤36 V do not bear a CCC marking because they do not require approval.				

Dimensions

Length L [mm]	50	65
Diameter D [mm]		30
Thread length l _t [mm]		32
Cap length l ₁ [mm]		18
Connector area l _c [mm]	0	15
LED position		Pos. C

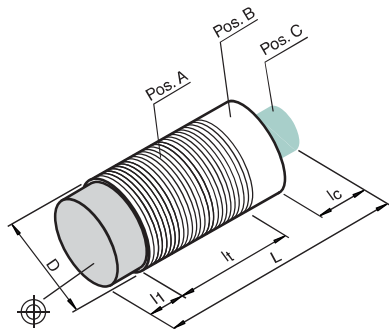
Accessories

This and more accessories can be found in chapter 10

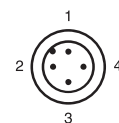
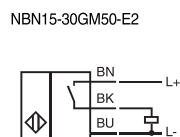
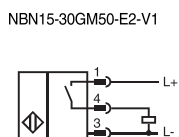
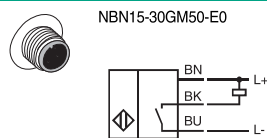
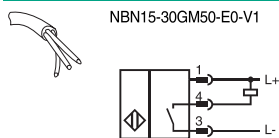
See pages from 972 ... for cordsets

See pages 1068 ... for mounting aids

- BF 30** Mounting flange, 30 mm
- V1-G-BK** 4-pin, M12 female field-attachable connector
- V1-W-BK** 4-pin, M12 female field-attachable connector
- V1-G-2M-PUR** Cable socket, M12, 4-pin, PUR cable
- V1-W-2M-PUR** Cable socket, M12, 4-pin, PUR cable



Electrical Connection



Wire colors in accordance with EN 60947-5-2

- 1 BN (brown)
- 2 WH (white)
- 3 BU (blue)
- 4 BK (black)



Technical Data

For detailed data and product description refer to the data sheets at www.pepperl-fuchs.com

General Data

Rated operating distance	15 mm
Installation	non-flush
Type of voltage	DC
Operating voltage	10 ... 30 V
No-load supply current	≤ 20 mA
Reverse polarity protection	✓
Switching frequency	0 ... 200 Hz
Operating current	0 ... 200 mA
Short-circuit protection	pulsing
Indication of the switching state	LED, yellow
Ambient temperature	-25 ... 70 °C (-13 ... 158 °F)
Housing material	brass, nickel-plated
Protection degree	IP67

Properties

- Ø30 mm housing
- 15 mm, non-flush mountable
- DC, 4-wire switching output
- Cable and connector versions

Model Number

		NBN15-30GM60-A0	NBN15-30GM60-A2	NBN15-30GM60-A0-V1	NBN15-30GM60-A2-V1
Switching element function	NPN NO/NC PNP NO/NC	●	●	●	●
Connection type	Device connector M12 x 1, 4-pin cable PVC, 2 m	●	●	●	●

Approvals and Certificates

UL approval	cULus Listed, General Purpose	●	●	●	●
CSA approval	cCSAus Listed, General Purpose	●	●	●	●
CCC approval	Products with a maximum operating voltage of ≤36 V do not bear a CCC marking because they do not require approval.				

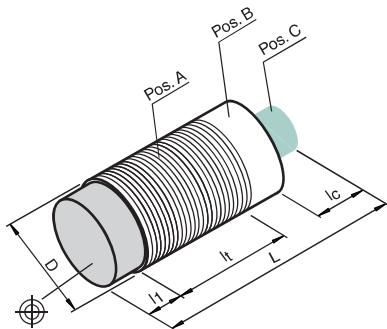
Dimensions

Length L [mm]		60	70
Diameter D [mm]			30
Thread length l _t [mm]			42
Cap length l ₁ [mm]			18
Connector area l _c [mm]		0	10
LED position		Pos. C	Pos. A

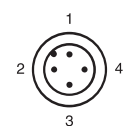
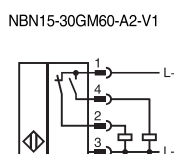
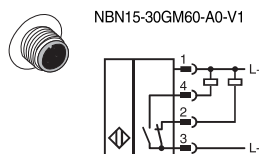
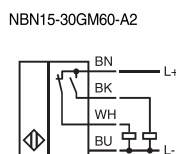
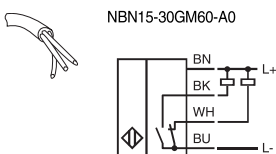
Accessories This and more accessories can be found in chapter 10

See pages from 972 ... for cordsets See pages 1068 ... for mounting aids

- V1-G-BK** 4-pin, M12 female field-attachable connector
- BF 30** Mounting flange, 30 mm
- V1-W-BK** 4-pin, M12 female field-attachable connector
- V1-G-2M-PUR** Cable socket, M12, 4-pin, PUR cable
- V1-W-2M-PUR** Cable socket, M12, 4-pin, PUR cable



Electrical Connection



Wire colors in accordance with EN 60947-5-2

- 1 BN (brown)
- 2 WH (white)
- 3 BU (blue)
- 4 BK (black)

Date of issue 04/08/2015

Refer to "General Notes Relating to Pepperl+Fuchs Product Information".

Pepperl+Fuchs Group
www.pepperl-fuchs.com

USA: +1 330 486 0001
fa-info@us.pepperl-fuchs.com

Germany: +49 621 776 4411
fa-info@de.pepperl-fuchs.com

Singapore: +65 6779 9091
fa-info@sg.pepperl-fuchs.com



Technical Data

For detailed data and product description refer to the data sheets at www.pepperl-fuchs.com

General Data

Rated operating distance	15 mm
Installation	non-flush
Type of voltage	DC
Operating voltage	10 ... 30 V
No-load supply current	≤ 15 mA
Reverse polarity protection	✓
Switching frequency	0 ... 200 Hz
Operating current	0 ... 200 mA
Short-circuit protection	pulsing
Indication of the switching state	LED, yellow
Ambient temperature	-25 ... 70 °C (-13 ... 158 °F)
Housing material	PBT
Protection degree	IP68 / IP69K
Connection type	cablc PVC , 2 m



Properties

- Ø30 mm housing
- 15 mm, non-flush mountable
- DC, 3-wire switching output
- Cable version

Further Products

In this series, we offer additionally:

NJ15-30GK-E2-T

Technical data comparable to NBN15-30GK50-E2 but:
Ambient temperature: -25 ... 100 °C (-13 ... 212 °F)

Model Number

Switching element function	NPN	NO	NBN15-30GK50-E0	NBN15-30GK50-E2
	PNP	NO	●	●

Approvals and Certificates

UL approval	cULus Listed, General Purpose	●	●
CSA approval	cCSAus Listed, General Purpose	●	●
CCC approval	Products with a maximum operating voltage of ≤36 V do not bear a CCC marking because they do not require approval.		

Dimensions

Length L [mm]	52
Diameter D [mm]	30
Thread length l _t [mm]	48
Cap length l ₁ [mm]	1
Connector area l _c [mm]	0
LED position	Pos. C

Accessories

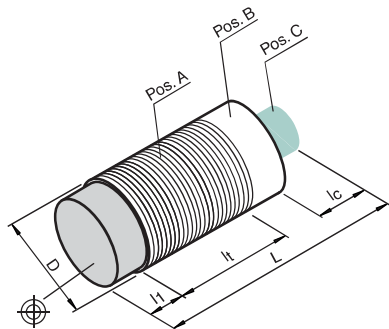
This and more accessories can be found in chapter 10

See pages from 972 ... for cordsets

See pages 1068 ... for mounting aids

BF 30

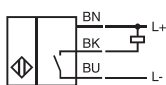
Mounting flange, 30 mm



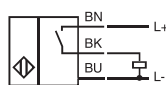
Electrical Connection



NBN15-30GK50-E0



NBN15-30GK50-E2
NJ15-30GK-E2-T





Technical Data

For detailed data and product description refer to the data sheets at www.pepperl-fuchs.com

General Data

Rated operating distance	15 mm
Installation	non-flush
Type of voltage	DC
Operating voltage	10 ... 30 V
No-load supply current	≤ 20 mA
Reverse polarity protection	✓
Switching frequency	0 ... 300 Hz
Operating current	0 ... 200 mA
Short-circuit protection	pulsing
Indication of the switching state	LED, yellow
Ambient temperature	-25 ... 70 °C (-13 ... 158 °F)
Housing material	PBT
Protection degree	IP67
Connection type	terminal compartment



Properties

- Ø30 mm housing
- 15 mm, non-flush mountable
- DC, 4-wire switching output
- Terminal compartment

Model Number

Switching element function	NPN	NO/NC	NJ15-30GKK-A	NJ15-30GKK-A2
	PNP	NO/NC	●	●

Approvals and Certificates

UL approval	cULus Listed, General Purpose	●	●
CSA approval	cCSAus Listed, General Purpose	●	●
CCC approval	Products with a maximum operating voltage of ≤36 V do not bear a CCC marking because they do not require approval.		

Dimensions

Length L [mm]	115
Diameter D [mm]	30
Thread length l _t [mm]	58
Cap length l ₁ [mm]	2
Connector area l _c [mm]	0

Accessories

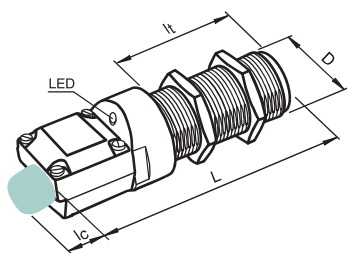
This and more accessories can be found in chapter 10

See pages from 972 ... for cordsets

See pages 1068 ... for mounting aids

BF 30

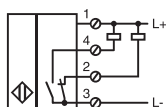
Mounting flange, 30 mm



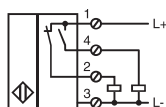
Electrical Connection



NJ15-30GKK-A



NJ15-30GKK-A2



Date of issue 04/08/2015



Technical Data

For detailed data and product description refer to the data sheets at www.pepperl-fuchs.com

General Data

Rated operating distance	22 mm
Installation	virtually flush
Type of voltage	DC
Operating voltage	10 ... 30 V
No-load supply current	≤ 10 mA
Reverse polarity protection	✓
Switching frequency	0 ... 150 Hz
Operating current	0 ... 200 mA
Short-circuit protection	pulsing
Indication of the switching state	LED, yellow
Ambient temperature	-25 ... 70 °C (-13 ... 158 °F)
Housing material	chromium plated brass
Protection degree	IP67

Properties

- Ø30 mm housing
- 22 mm, virtually flush mountable
- DC, 3-wire switching output
- Cable and connector versions

Model Number

			NEB22-30GM60-E0	NEB22-30GM60-E2	NEB22-30GM60-E0-V1	NEB22-30GM60-E2-V1	NEB22-30GM60-E3-V1
Switching element function	green = preferred type	NPN NO	●	●	●	●	●
		PNP NO		●		●	
		PNP NC					●
Connection type		Device connector M12 x 1, 4-pin	●	●	●	●	●
		cable PVC, 2 m	●	●			

Approvals and Certificates

UL approval	cULus Listed, General Purpose	●
CSA approval	cCSAus Listed, General Purpose	●
CCC approval	Products with a maximum operating voltage of ≤36 V do not bear a CCC marking because they do not require approval.	

Dimensions

Length L [mm]	60		73.5		
Diameter D [mm]			30		
Thread length l _t [mm]	60	60	52	61.5	52
Cap length l ₁ [mm]	0				
Connector area l _c [mm]	0		13,5		12,5
LED position	C	C	C	A	C

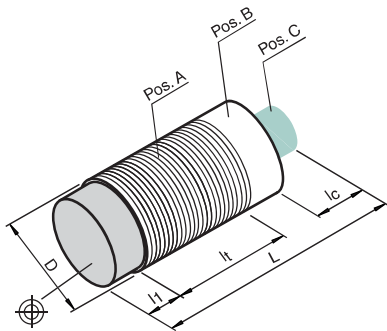
Accessories

This and more accessories can be found in chapter 10

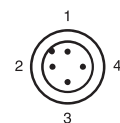
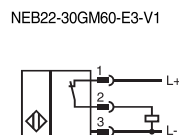
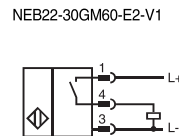
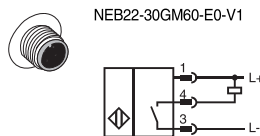
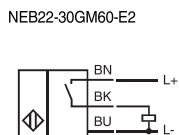
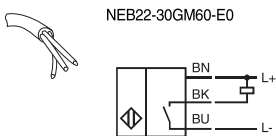
See pages from 972 ... for cordsets

See pages 1068 ... for mounting aids

- BF 30** Mounting flange, 30 mm
- V1-G-BK** 4-pin, M12 female field-attachable connector
- V1-W-BK** 4-pin, M12 female field-attachable connector
- V1-G-2M-PUR** Cable socket, M12, 4-pin, PUR cable
- V1-W-2M-PUR** Cable socket, M12, 4-pin, PUR cable



Electrical Connection



Wire colors in accordance with EN 60947-5-2

- 1 BN (brown)
- 2 WH (white)
- 3 BU (blue)
- 4 BK (black)



Properties

- Ø30 mm housing
- 22 mm and 25 mm versions, non-flush mountable
- DC, 3-wire switching output
- Cable and connector versions

Technical Data

For detailed data and product description refer to the data sheets at www.pepperl-fuchs.com

General Data

Installation	non-flush
Type of voltage	DC
Operating voltage	10 ... 30 V
Reverse polarity protection	✓
Short-circuit protection	pulsing
Indication of the switching state	LED, yellow
Housing material	brass, nickel-plated
Protection degree	IP67

Model Number

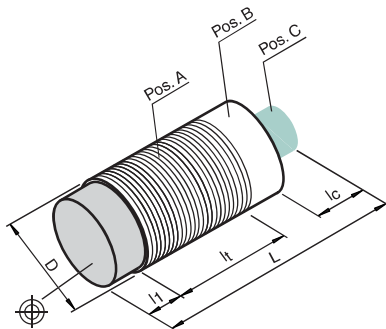
	green = preferred type					
Rated operating distance	22 mm	●			●	
	25 mm		●	●		●
Switching element function	NPN NO	●	●	●	●	●
	PNP NO					
No-load supply current	≤ 10 mA	●	●	●	●	●
	≤ 12 mA					
Switching frequency	0 ... 200 Hz	●	●	●	●	●
	0 ... 80 Hz					
Operating current	0 ... 100 mA	●			●	
	0 ... 200 mA					
Ambient temperature	-25 ... 70 °C (-13 ... 158 °F)	●	●	●	●	●
	-40 ... 70 °C (-40 ... 158 °F)					●
Connection type	Device connector M12 x 1, 4-pin				●	●
	cable PVC, 2 m	●	●	●		

Approvals and Certificates

UL approval	cULus Listed, General Purpose	●	●	●	●	●	●
CSA approval	cCSAus Listed, General Purpose	●	●	●	●	●	●
CCC approval	Products with a maximum operating voltage of ≤36 V do not bear a CCC marking because they do not require approval.						

Dimensions

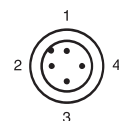
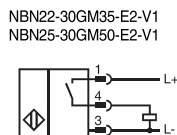
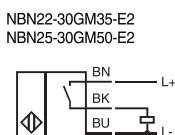
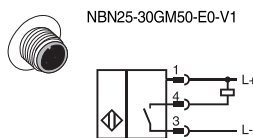
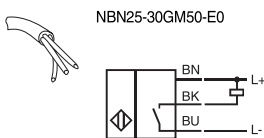
Length L [mm]	35	50	50	50	65	65
Diameter D [mm]				30		
Thread length l _t [mm]	15	32	32	17	32	32
Cap length l ₁ [mm]				18		
Connector area l _c [mm]		0			15	
LED position						Pos. C



Accessories This and more accessories can be found in chapter 10

BF 30	Mounting flange, 30 mm	See pages 972 ... for cordsets	See pages 1068 ... for mounting aids
V1-G-BK	4-pin, M12 female field-attachable connector		
V1-W-BK	4-pin, M12 female field-attachable connector		
V1-G-2M-PUR	Cable socket, M12, 4-pin, PUR cable		
V1-W-2M-PUR	Cable socket, M12, 4-pin, PUR cable		

Electrical Connection



Wire colors in accordance with EN 60947-5-2

1	BN	(brown)
2	WH	(white)
3	BU	(blue)
4	BK	(black)

Date of issue 04/08/2015

Refer to "General Notes Relating to Pepperl+Fuchs Product Information".

Pepperl+Fuchs Group
www.pepperl-fuchs.com

USA: +1 330 486 0001
fa-info@us.pepperl-fuchs.com

Germany: +49 621 776 4411
fa-info@de.pepperl-fuchs.com

Singapore: +65 6779 9091
fa-info@sg.pepperl-fuchs.com

1
.1.1

Proximity Sensors, Inductive Sensors, cylindrical



Technical Data

For detailed data and product description refer to the data sheets at www.pepperl-fuchs.com

General Data	
Rated operating distance	40 mm
Installation	non-flush
Type of voltage	DC
Operating voltage	10 ... 30 V
No-load supply current	≤ 10 mA
Reverse polarity protection	✓
Switching frequency	0 ... 100 Hz
Operating current	0 ... 200 mA
Short-circuit protection	pulsing
Indication of the switching state	LED, yellow
Ambient temperature	-25 ... 70 °C (-13 ... 158 °F)
Housing material	chromium plated brass
Protection degree	IP67

Properties

- Ø30 mm housing
- 40 mm, non-flush mountable
- DC, 3-wire switching output
- Cable and connector versions

Model Number

		green = preferred type				
		NEN40-30GM60-E0	NEN40-30GM60-E2	NEN40-30GM60-E0-V1	NEN40-30GM60-E2-V1	NEN40-30GM60-E3-V1
Switching element function	NPN NO	●		●		
	PNP, NO		●			
	PNP NO				●	
	PNP NC					●
Connection type	Device connector M12 x 1 , 4-pin			●	●	●
	cable PVC , 2 m	●	●			

Approvals and Certificates

UL approval	cULus Listed, General Purpose	●
CSA approval	cCSAus Listed, General Purpose	●
CCC approval	Products with a maximum operating voltage of ≤36 V do not bear a CCC marking because they do not require approval.	

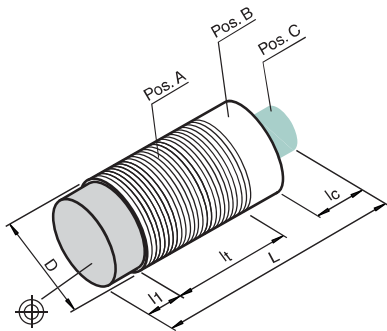
Dimensions

Length L [mm]	60		73.5		
Diameter D [mm]			30		
Thread length l _t [mm]	50	50	42	51.5	42
Cap length l ₁ [mm]			10		
Connector area l _c [mm]	0	0	13.5	12.5	13.5
LED position	C	C	C	A	C

Accessories

This and more accessories can be found in chapter 10
 See pages from 972 ... for cordsets See pages 1068 ... for mounting aids

- BF 30** Mounting flange, 30 mm
- V1-G-BK** 4-pin, M12 female field-attachable connector
- V1-W-BK** 4-pin, M12 female field-attachable connector
- V1-G-2M-PUR** Cable socket, M12, 4-pin, PUR cable
- V1-W-2M-PUR** Cable socket, M12, 4-pin, PUR cable



Electrical Connection

NEN40-30GM60-E0

NEN40-30GM60-E0-V1

NEN40-30GM60-E2-V1

NEN40-30GM60-E3-V1

Wire colors in accordance with EN 60947-5-2

1	BN	(brown)
2	WH	(white)
3	BU	(blue)
4	BK	(black)

NEN40-30GM60-E2



Properties

- Ø30 mm housing
- 10 mm, flush mountable and 15 mm, virtually flush mountable
- AC, 2-wire switching output
- Cable and connector versions

Technical Data

For detailed data and product description refer to the data sheets at www.pepperl-fuchs.com

General Data

Type of voltage	AC
Operating voltage	20 ... 253 V
Reverse polarity protection	tolerant
Switching frequency	0 ... 20 Hz
Operating current	5 ... 200 mA
Operating voltage display	LED, green
Indication of the switching state	LED, yellow
Ambient temperature	-25 ... 70 °C (-13 ... 158 °F)
Housing material	brass, nickel-plated
Protection degree	IP67

Model Number

		NBB10-30GM50-WS	NBB10-30GM50-WO	NBB15-30GM50-WS	NBB15-30GM50-WO	NBB15-30GM50-WS-V12	NBB15-30GM50-WO-V12	NBB15-30GM50-WS-V93	NBB15-30GM50-WO-V93
Rated operating distance	green = preferred type 10 mm 15 mm	●	●	●	●	●	●	●	●
Installation	flush virtually flush	●	●	●	●	●	●	●	●
Switching element function	AC NO AC NC	●	●	●	●	●	●	●	●
Connection type	Device connector 1/2"-20 UN , 3-pin Device connector 7/8"-16 UN , 3-pin cable PVC , 2 m	●	●	●	●	●	●	●	●

Approvals and Certificates

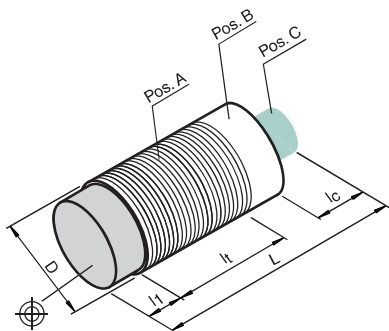
UL approval	cULus Listed, General Purpose	●	●	●	●	●	●	●	●
CSA approval	cCSAus Listed, General Purpose	●	●	●	●	●	●	●	●
CCC approval	Certified by China Compulsory Certification (CCC)	●	●	●	●	●	●	●	●

Dimensions

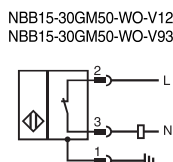
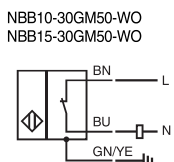
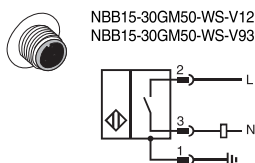
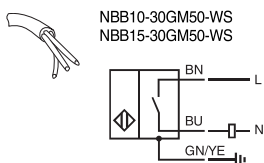
Length L [mm]		50	60	65
Diameter D [mm]			30	
Thread length l _t [mm]		47		50
Cap length l ₁ [mm]			0	
Connector area l _c [mm]		0	10	15
LED position		Pos. C		Pos. B

Accessories This and more accessories can be found in chapter 10

BF 30	Mounting flange, 30 mm	See pages from 972 ... for cordsets	See pages 1068 ... for mounting aids
EXG-30	Quick mounting bracket with dead stop		



Electrical Connection



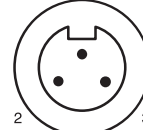
V12



Wire colors

- 1 | GN (green)
- 2 | RD/BK (red/black)
- 3 | RD/WH (red/white)

V93



Wire colors

- 1 | GN (green)
- 2 | BK (black)
- 3 | WH (white)

Date of issue 04/08/2015

Refer to "General Notes Relating to Pepperl+Fuchs Product Information".

Pepperl+Fuchs Group
www.pepperl-fuchs.com

USA: +1 330 486 0001
fa-info@us.pepperl-fuchs.com

Germany: +49 621 776 4411
fa-info@de.pepperl-fuchs.com

Singapore: +65 6779 9091
fa-info@sg.pepperl-fuchs.com



Technical Data

For detailed data and product description refer to the data sheets at www.pepperl-fuchs.com

General Data

Rated operating distance	15 mm
Installation	virtually flush
Type of voltage	AC
Operating voltage	20 ... 250 V
Switching frequency	0 ... 25 Hz
Operating current	1.5 ... 200 mA
Ambient temperature	-25 ... 70 °C (-13 ... 158 °F)
Housing material	PBT
Protection degree	IP68
Connection type	cablе PVC , 2 m



Properties

- Ø30 mm housing
- 15 mm, virtually flush mountable
- AC, 2-wire switching output
- Cable version

Model Number

		NBB15-30GK-WS	NBB15-30GK-WO
Switching element function	AC NO	●	
	AC NC		●

Approvals and Certificates

		NBB15-30GK-WS	NBB15-30GK-WO
UL approval	cULus Listed, General Purpose	●	●
CSA approval	cCSAus Listed, General Purpose	●	●
CCC approval	Certified by China Compulsory Certification (CCC)	●	●

Dimensions

Length L [mm]	80
Diameter D [mm]	30
Thread length l _t [mm]	60
Cap length l ₁ [mm]	0
Connector area l _c [mm]	0
LED position	-

Accessories

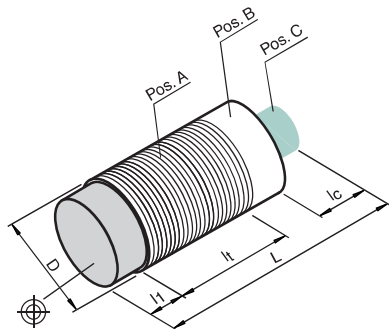
This and more accessories can be found in chapter 10

See pages from 972 ... for cordsets

See pages 1068 ... for mounting aids

BF 30

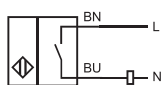
Mounting flange, 30 mm



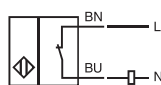
Electrical Connection



NBB15-30GK-WS



NBB15-30GK-WO





Technical Data

For detailed data and product description refer to the data sheets at www.pepperl-fuchs.com

General Data

Installation	flush
Type of voltage	AC
Operating voltage	20 ... 250 V
No-load supply current	≤ 1.7 mA
Switching frequency	0 ... 20 Hz
Operating current	1.5 ... 200 mA
Ambient temperature	-25 ... 70 °C (-13 ... 158 °F)
Housing material	PBT
Protection degree	IP67
Connection type	terminal compartment



Properties

- Ø30 mm housing
- 10 mm and 15 mm , flush mountable versions
- AC, 2-wire switching output
- Terminal compartment

Model Number

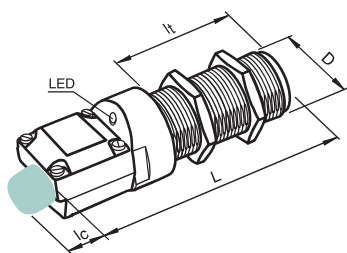
		NBB10-30GKK-WO	NBB10-30GKK-WS	NBB15-30GKK-WO	NBB15-30GKK-WS
Rated operating distance	10 mm	●	●		
	15 mm			●	●
Switching element function	AC NO		●		●
	AC NC	●		●	

Approvals and Certificates

		NBB10-30GKK-WO	NBB10-30GKK-WS	NBB15-30GKK-WO	NBB15-30GKK-WS
UL approval	cULus Listed, General Purpose	●	●	●	●
CSA approval	cCSAus Listed, General Purpose	●	●	●	●
CCC approval	Certified by China Compulsory Certification (CCC)	●	●	●	●

Dimensions

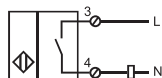
Length L [mm]	115
Diameter D [mm]	30
Thread length l _t [mm]	58
Cap length l ₁ [mm]	2
Connector area l _c [mm]	0



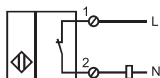
Electrical Connection



NBB15-30GKK-WS
NBB10-30GKK-WS



NBB15-30GKK-WO
NBB10-30GKK-WO



Date of issue 04/08/2015

Refer to "General Notes Relating to Pepperl+Fuchs Product Information".

Pepperl+Fuchs Group
www.pepperl-fuchs.com

USA: +1 330 486 0001
fa-info@us.pepperl-fuchs.com

Germany: +49 621 776 4411
fa-info@de.pepperl-fuchs.com

Singapore: +65 6779 9091
fa-info@sg.pepperl-fuchs.com



Properties

- Ø30 mm housing
- 15 mm, flush mountable
- AC/DC, 2-wire switching output
- Cable and connector versions

Technical Data

For detailed data and product description refer to the data sheets at www.pepperl-fuchs.com

General Data

Rated operating distance	15 mm
Installation	flush
Operating voltage	20 ... 250 V AC/20 ... 300 V DC
Reverse polarity protection	tolerant
Switching frequency	30 Hz
Operating current	4 ... 500 mA AC/DC
Short-circuit protection	✓
Operating voltage display	LED, green
Indication of the switching state	LED, yellow
Ambient temperature	-25 ... 70 °C (-13 ... 158 °F)
Housing material	brass, nickel-plated
Protection degree	IP67

Model Number

			NBB15-30GM50-US	NBB15-30GM50-UO	NBB15-30GM50-US-V12	NBB15-30GM50-UO-V12	NBB15-30GM50-US-V93	NBB15-30GM50-UO-V93
Switching element function	AC/DC	NO	●	●	●	●	●	●
	NC			●		●		●
Type of voltage	UC		●					
Connection type	Device connector 1/2"-20 UN , 3-pin				●			
	Device connector 7/8"-16 UN , 3-pin						●	●
	Device connector M12 x 1 , 3-pin					●		
	cable PUR , 2 m		●	●				

Approvals and Certificates

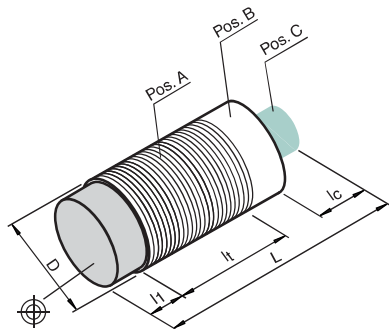
UL approval	cULus Listed, General Purpose	●	●	●	●	●	●	●
CSA approval	cCSAus Listed, General Purpose	●	●	●	●	●	●	●
CCC approval	Certified by China Compulsory Certification (CCC)	●	●	●	●	●	●	●

Dimensions

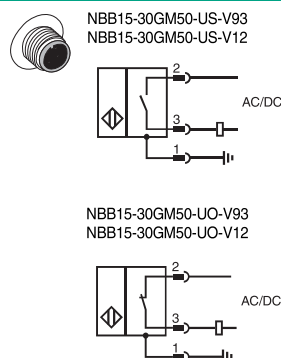
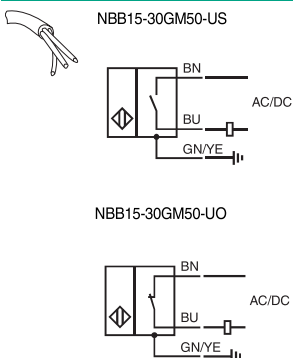
Length L [mm]		51	60	65
Diameter D [mm]			30	
Thread length l _t [mm]			50	
Cap length l ₁ [mm]			0	
Connector area l _c [mm]			10	15
LED position			Pos. B	

Accessories This and more accessories can be found in chapter 10

BF 30	Mounting flange, 30 mm	See pages 972 ... for cordsets	See pages 1068 ... for mounting aids
EXG-30	Quick mounting bracket with dead stop		



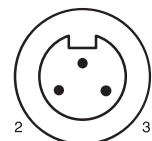
Electrical Connection



V12



V93



Wire colors

1	GN (green)
2	RD/BK (red/black)
3	RD/WH (red/white)

Wire colors

1	GN (green)
2	BK (black)
3	WH (white)



Technical Data

For detailed data and product description refer to the data sheets at www.pepperl-fuchs.com

General Data

Rated operating distance	25 mm
Installation	non-flush
Operating voltage	20 ... 250 V AC/20 ... 300 V DC
Reverse polarity protection	tolerant
Switching frequency	30 Hz
Operating current	4 ... 500 mA AC/DC
Short-circuit protection	✓
Operating voltage display	LED, green
Indication of the switching state	LED, yellow
Ambient temperature	-25 ... 70 °C (-13 ... 158 °F)
Housing material	brass, nickel-plated
Protection degree	IP67

Properties

- Ø30 mm housing
- 25 mm, non-flush mountable
- AC/DC, 2-wire switching output
- Cable and connector versions

Model Number

Switching element function	green = preferred type AC/DC NO NC	NBN25-30GM50-US	NBN25-30GM50-UO	NBN25-30GM50-US-V12	NBN25-30GM50-UO-V12	NBN25-30GM50-US-V93	NBN25-30GM50-UO-V93
Type of voltage	UC	●	●	●	●	●	●
Connection type	Device connector 1/2"-20 UN , 3-pin Device connector 7/8"-16 UN , 3-pin Device connector M12 x 1 , 3-pin cable PUR , 2 m	●	●	●	●	●	●

Approvals and Certificates

UL approval	cULus Listed, General Purpose	●	●	●	●	●	●
CSA approval	cCSAus Listed, General Purpose	●	●	●	●	●	●
CCC approval	Certified by China Compulsory Certification (CCC)	●	●	●	●	●	●

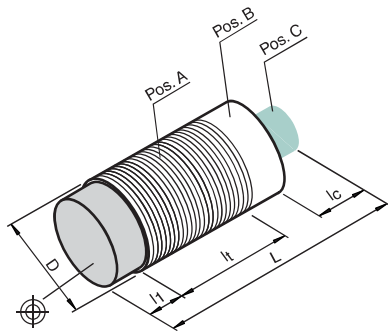
Dimensions

Length L [mm]	51	60	65
Diameter D [mm]		30	
Thread length l _t [mm]		32	
Cap length l ₁ [mm]		18	
Connector area l _c [mm]	0	10	15
LED position		Pos. B	

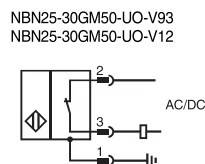
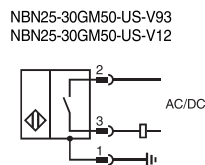
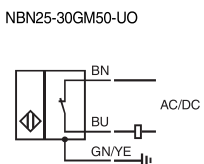
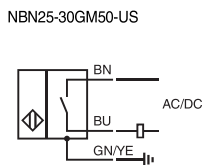
Accessories

This and more accessories can be found in chapter 10
See pages from 972 ... for cordsets See pages 1068 ... for mounting aids

BF 30 Mounting flange, 30 mm



Electrical Connection



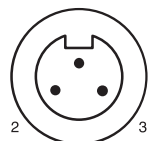
V12



Wire colors

- 1 GN (green)
- 2 RD/BK (red/black)
- 3 RD/WH (red/white)

V93



Wire colors

- 1 GN (green)
- 2 BK (black)
- 3 WH (white)

Date of issue 04/08/2015

Refer to "General Notes Relating to Pepperl+Fuchs Product Information".

Pepperl+Fuchs Group
www.pepperl-fuchs.com

USA: +1 330 486 0001
fa-info@us.pepperl-fuchs.com

Germany: +49 621 776 4411
fa-info@de.pepperl-fuchs.com

Singapore: +65 6779 9091
fa-info@sg.pepperl-fuchs.com





Technical Data

For detailed data and product description refer to the data sheets at www.pepperl-fuchs.com

General Data

Switching element function	Analog current output
Type of voltage	DC
Operating voltage	15 ... 30 V
No-load supply current	≤ 10 mA
Output type	0 ... 20 mA
Linearity error	≤ ± 10 % of full-scale value
Load resistor	≤ 500 Ω
Adjustment tolerance zero point	≤ ± 10 % of full-scale value
Ambient temperature	-10 ... 70 °C (14 ... 158 °F)
Housing material	brass, nickel-plated
Protection degree	IP67
Connection type	cable PVC , 2 m



Properties

- Ø30 mm housing
- 3 ... 8 mm, flush mountable and 5 ... 15 mm non-flush mountable
- DC, 3-wire analog output
- Cable version

Model Number

	green = preferred type		
Measurement range	3 ... 8 mm	IA8-30GM-I3	IA15-30GM-I3
	5 ... 15 mm		
Installation	flush		
	non-flush		

Approvals and Certificates

UL approval	cULus Listed, General Purpose		
CSA approval	cCSAus Listed, General Purpose		
CCC approval	Products with a maximum operating voltage of ≤36 V do not bear a CCC marking because they do not require approval.		

Dimensions

Length L [mm]		60	
Diameter D [mm]		30	
Thread length l _t [mm]	60		42
Cap length l ₁ [mm]	0		18
Connector area l _c [mm]		0	
LED position		-	

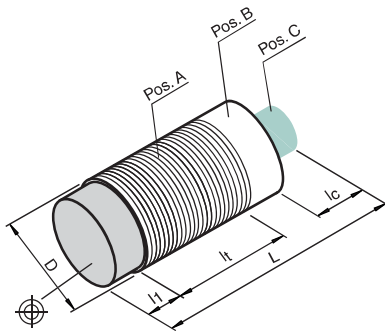
Accessories

This and more accessories can be found in chapter 10

See pages from 972 ... for cordsets

See pages 1068 ... for mounting aids

BF 30	Mounting flange, 30 mm
DA5-IU-C	Digital display unit



Electrical Connection



IA15-30GM-I3
IA8-30GM-I3

